

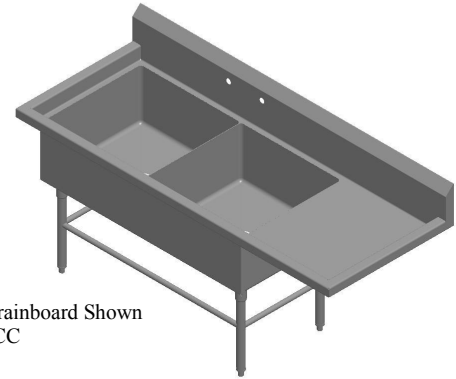
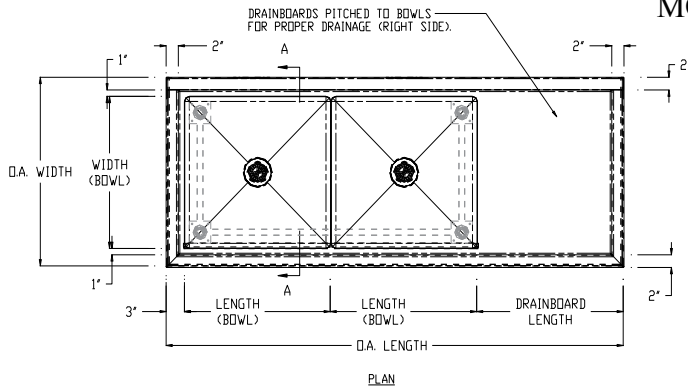


TWO COMPARTMENT SINKS W/ ONE DRAINBOARD & THREE SIDED CROSS BRACING

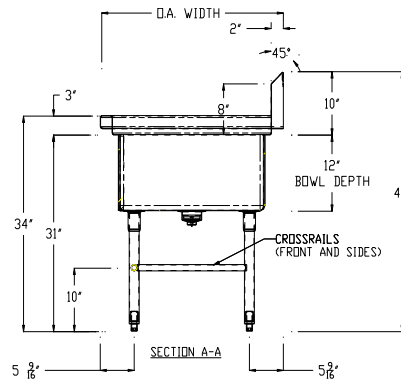
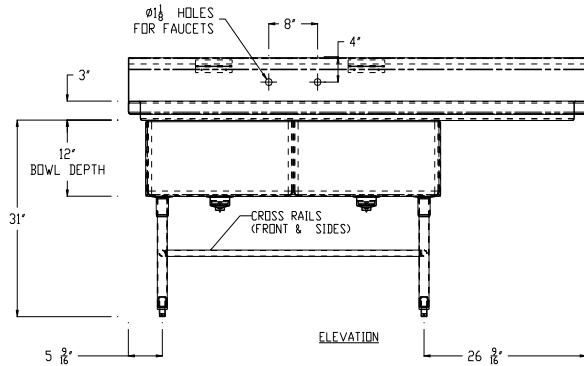
PROJECT#: _____

ITEM# _____

MODEL# _____



NOTE: Right Drainboard Shown
C-2-2424-24R-CC



TWO COMPARTMENT SINKS W/ ONE DRAINBOARD & CROSS BRACING							
MODEL#	QTY	PRODUCT DIMENSIONS (INCHES)					
		LENGTH (BOWL)	WIDTH (BOWL)	DRAINBOARD LENGTH	O.A. LENGTH	O.A. WIDTH	OVERALL HEIGHT
C-2-1618-18R-CC		16"	18"	18" ON RIGHT	53"	24"	41"
C-2-1618-18L-CC		16"	18"	18" ON LEFT	53"	24"	41"
C-2-1618-24R-CC		16"	18"	24" ON RIGHT	59"	24"	41"
C-2-1618-24L-CC		16"	18"	24" ON LEFT	59"	24"	41"
C-2-1824-18R-CC		18"	24"	18" ON RIGHT	57"	30"	41"
C-2-1824-18L-CC		18"	24"	18" ON LEFT	57"	30"	41"
C-2-1824-24R-CC		18"	24"	24" ON RIGHT	63"	30"	41"
C-2-1824-24L-CC		18"	24"	24" ON LEFT	63"	30"	41"
C-2-2030-20R-CC		20"	30"	20" ON RIGHT	63"	36"	41"
C-2-2030-20L-CC		20"	30"	20" ON LEFT	63"	36"	41"
C-2-2424-18R-CC		24"	24"	18" ON RIGHT	69"	30"	41"
C-2-2424-18L-CC		24"	24"	18" ON LEFT	69"	30"	41"
C-2-2424-24R-CC		24"	24"	24" ON RIGHT	75"	30"	41"
C-2-2424-24L-CC		24"	24"	24" ON LEFT	75"	30"	41"
C-2-2430-24R-CC		24"	30"	24" ON RIGHT	75"	36"	41"
C-2-2430-24L-CC		24"	30"	24" ON LEFT	75"	36"	41"

SINK SPECIFICATIONS:

- TOP:** 16 GA. 300 Series Stainless Steel
- SINK BOWLS:** 16 GA. 300 Series Stainless Steel
- CROSS BRACING:** 1" Diameter Stainless Steel Welded To Legs
- LEGS:** 1 5/8" Diameter Stainless Steel Tubing

CONSTRUCTION:

- ◆ Fully welded, Seamless, Polished to #4 Finish
- ◆ Euro Edge
- ◆ S/S Adjustable Bullet Feet
- ◆ Crumb Cup Drain 1 1/2" IPS
- ◆ 8" On Center Faucet Holes
- ◆ Ships with (2) Wall Mount "Z" Clips
- ◆ Integral 10" Tall Backsplash